

**GÜTHLE****DILOS**

# DILOS TROLLEY 05/10

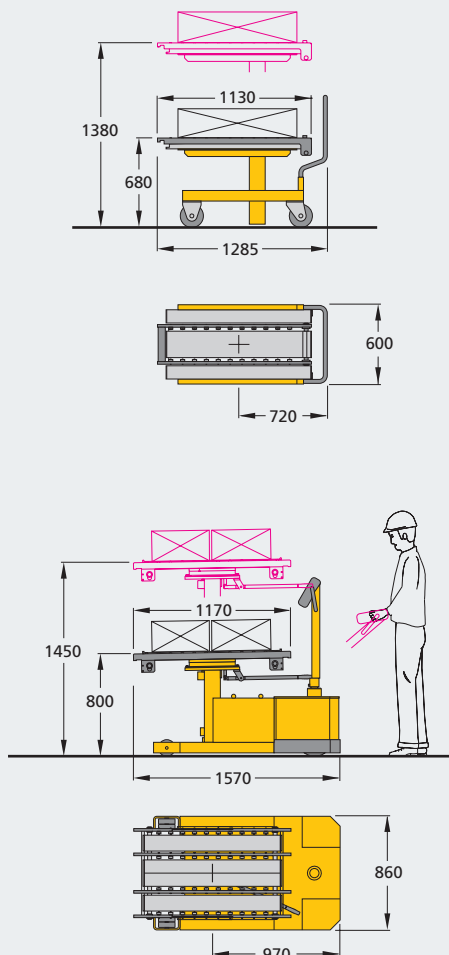
## For simpler jobs

The DILOS TROLLEY rounds off the die transporter range with 2 platform trolleys for dies.

They permit quick changing of dies in the lower weight classes.

The revolving table of the DILOS TROLLEY 10 allows 2 dies to be swapped.

Both the DILOS TROLLEYS are moved by hand, or by an electric drive module with draw-bar steering.



DILOS TROLLEY	05	10
<b>Die dimensions</b>		
Width min.	350 mm	350 mm
Depth min.	300 mm	300 mm
Depth max.	2x500 mm/1x1000 mm	2x500mm/1x1000 mm
<b>Lifting Device</b>		
Load	2 x 5 kN	2 x 10 kN
Standard stroke	680 to 1380 mm	800 to 1450 mm
Lifting operation	Manual Pump	Power Unit
Levelling equipment	Manual	Manual
<b>Chassis/Steering</b>		
Chassis	4-wheel	3-wheel
Steering	Push bar	Drawbar
Tyres	Polyamide	Vulkollan
<b>Travel</b>		
Drive	Manual	Elektric
Battery	-	2 x 12V GIS 100Ah
Speed max.	-	Infinitely variable to 1.8 kph
<b>Die displacement</b>		
Drive	Manual	Manual
Function release	Docking	Docking
<b>Dimensions and space requirement</b>		
Width	600 mm	860 mm
Length	1285 mm	1570 mm
Height	1000 mm	1350 mm
<b>Weight</b>		
Unloaded	240 kg	800 kg (including battery)